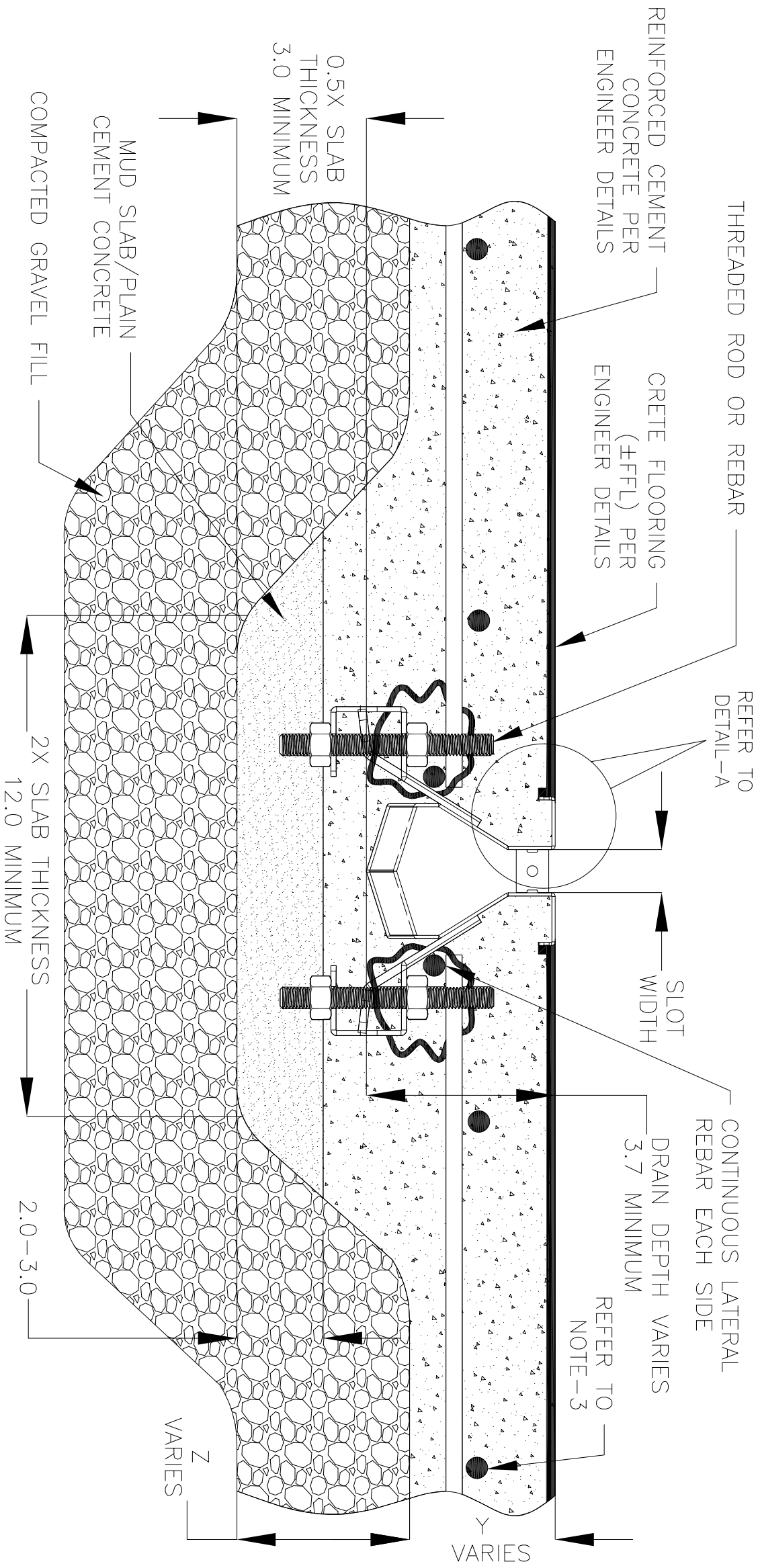


NOTES: UNLESS OTHERWISE SPECIFIED

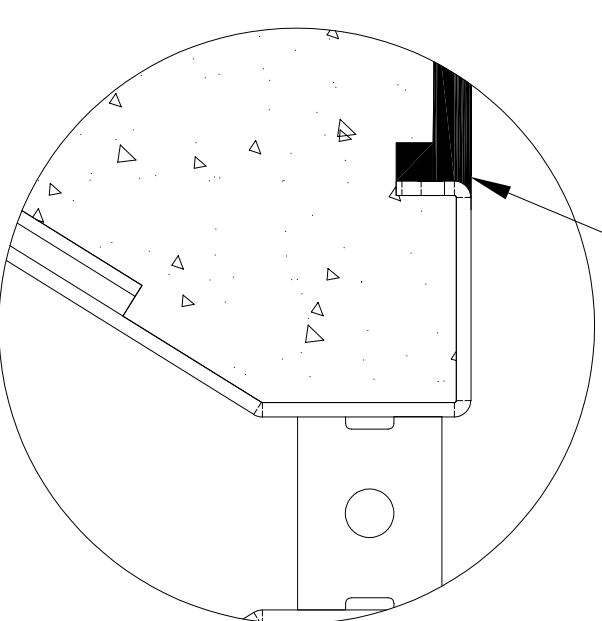
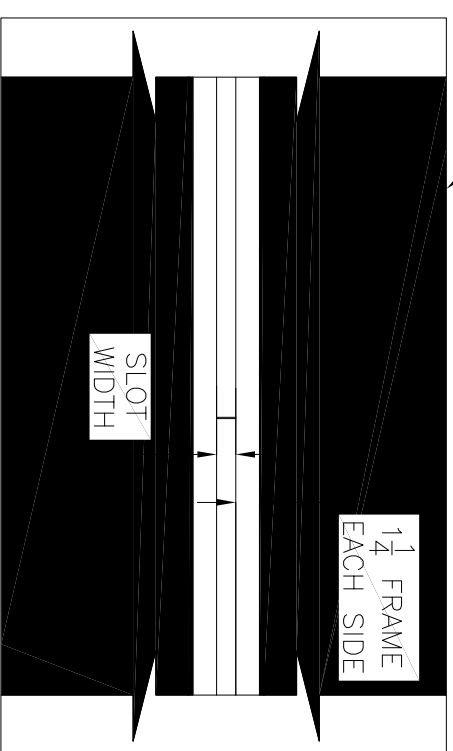
1. ALL DIMENSIONS ARE IN INCHES.
2. DRAIN BODY MATERIAL: 14GA STAINLESS STEEL T304/T316
3. SPECIFYING ENGINEER IS RESPONSIBLE FOR CONCRETE ENGAGEMENT AND REINFORCING BASED UPON APPLICATION AND LOCAL CODES.
4. REFER TO <https://info.slotdrainsystems.com/installresources> FOR INSTALLATION INSTRUCTIONS.



6000P SERIES SLOT DRAIN INSTALLATION DETAILS

CRETE FLOORING (±FFL) PER ENGINEER DETAILS

REVISIONS			
REV	DESCRIPTION	DATE	BY
0	INITIAL RELEASE - RO	11/15/2019	DK
1	UPDATED THE DRAIN LAYOUT	12/2/2020	DK
2	UPDATED THE REBAR DETAILS	7/14/2021	DK
3	UPDATED WITH GLOBAL DRAIN TEMPLATE	3/19/2024	DK



DRAWING TITLE
CRETE FLOOR-NEW CONSTRUCTION INSTALLATION

DRAIN SERIES
6000P SERIES SLOT DRAIN

DWG NO.
IN-SD6000P-001-R3

SIZE
B

SCALE
NTS

SHEET
1 OF 1

REV.
3

ALL DRAWINGS ARE THE EXCLUSIVE PROPERTY OF SLOT DRAIN SYSTEMS. ANY REPRODUCTION IN PART OR IN WHOLE IS PROHIBITED WITHOUT PROPER CONSENT.